

Bona DCS70/Portable DCS®

Manual and safety instruction



WARNING
Read the instructions manual
before using the machine

AMO530002 | AMO530005

Bona®

TECHNICAL DATA

Motor type:	DCS70	Portable DCS®
Voltage (+/- 10%):	230 VAC	115 VAC
Frequency:	50/60 Hz	60 Hz
Fuses:	10 slow-blow	10 slow-blow
Max Flow:	260m ³ /h	66 L/sec / 140cfm
Max Vacuum:	28kpa	330mbars / 132 inch water
Hose:	7,5m x Ø 38mm	33 ft X Ø 1,97in
Coarse filter:	Folded 1,2m ²	10 sq. ft
HEPA filter:	H13 1,5m ²	H13 16 sq. ft
Noise level:	80 dB(A)	80 dB(A)
Bag system:	Longopac® 20 m	Longopac® 65ft
Length/Wide/Height:	78x60x115cm	31X23X45,5 in
Weight:	43kg	43kg/95lb
Dust capacity:	70l	70l / 18,5 gallon
Hour meter:	99 999 hrs	99 999 hrs

We congratulate you on your choice of a new Bona DCS70.

Read the complete user instructions carefully before starting to use the machine. If anything is not clear, you can obtain help from your dealer or from Bona. You can also visit our web site, www.bona.com, where you can find manuals, schematics and spare parts.

Important!

This Operator's Manual only concerns Bona DCS70

Bona DCS70 may only be used for handling dry non explosive, materials.

Bona DCS70 is designed to handle wood dust when sanding floors and vacuuming with Bona's equipment. Bona AB disclaims all responsibility if the Bona DCS70 is used for other purposes or is handled differently than described in this Operator's Manual.

Pay special attention to the Safety Instructions.

Read the Operator's Manual before starting to use Bona DCS70.

Spare parts used on the Bona DCS70 must be approved by Bona AB.

Unpacking

When unpacking the machine, please check that following items are included:

- Suction hose including hose end
- Cleaning equipment
- Connection cable
- Extra Longopac
- Operators Manual
- Cleaning kit, including:
 - Hose connector (38-50mm) – Includes only in 230V
 - Hose lock 60mm
 - Hose lock 45-50mm
 - Longopac sealer 60 Pcs
 - Wand 38mm, 3-parted
 - Floor tool (dia 38X300mm)
 - Crevice tool-rubber (dia 38X200mm)
 - Scissors
 - Bent tube 38-45mm – Includes only in 230V
 - Bent tube 38-35mm – Includes only in 230V
 - Adapter belt – Includes only in 230V
 - Velcro one wrap strap (10-pcs)
 - Hose connector (50-38mm) – Includes only in 110V

If anything is missing of the above items, contact your dealer right away.



DANGER means: Severe bodily injury or death can occur to you or other personnel if the **DANGER** STATEMENTS FOUND ON THIS MACHINE OR IN THIS Owner's Manual are ignored or are not adhered to. Read this entire manual before operating this machine.



WARNING means: Injury can occur to you or to other personnel if the **WARNING** statements found on your machine or in this Owner's Manual are ignored or are not adhered to. Damage to the machine or to other property may occur as well, if the **WARNING** is ignored.



A mixture of dust and air can under unfortunate circumstances be explosive. Sanding/Vacuuming wood floors can create an environment that can be explosive. The following safety procedures **must** be adhered to.

SAFETY INSTRUCTIONS

Handling



- Cables damaged through crushing or cracking can be dangerous if used and should be replaced immediately. Risk of personal injury.



- Do not connect the machine to an unearthed socket. Risk of personal injury.



- Make sure that the foundation is solid so the Bona DCS 70 doesn't tip over. Risk of personal injury and property damage.



- Risk of pinch injuries when handling the toggle fasteners, cleaning unit and cyclone.



- Do not vacuum burning or smoldering particles as the machine can catch fire. If a fire should break out, pull out the plug from the socket and extinguish using the available fire fighting equipment.



- The machine must not be used in environments where explosive gas can occur. Large risk for explosions.



- Do not look into the suction pipe or suction hose if blocked. Large risk of injury to the eyes.



- Do not point the suction hose towards body parts when the machine is running. Avoid placing your hand or other parts of the body against the suction inlet if the suction hose is not fitted. Risk of personal injury.



- Do not vacuum water, oil or any other liquids.



- While lifting the machine, make sure that the dust container is emptied and that no person is under the lifted machine. Risk of person injury and property damage.

Service



- Remove the plug from the wall socket when carrying out maintenance work. Reassemble all guards on the motor and fan components once servicing is complete. Risk for person injury.



- Health impairing dust can be spread when cleaning the coarse filter and during filter and bag replacement. Accordingly, the user should wear tight fitting clothing, protective glasses, protective gloves and a breathing mask conforming to protection class P2.



- Do not make holes in any filter. Risk of dust dispersion.

Handling

Connect the power cable to the right wall outlet. Assemble the hose to the sanding machine or to the suction pipe together with the floor nozzle. Start the Bona DCS70 by using the push switch.

The dust extractor separates material in three stages:

- The first stage consists of a cyclone separator, where all coarse material is separated before reaching a filter.
- The second stage consists of a folded coarse filter that filters out the fine visible dust.
- The third stage, final filtering, uses a HEPA13 filter, which separates the health-impairing dust which is not visible to the eye.

Coarse filter characteristics

The coarse filter is strong and very stable. Low pressure drop with extremely good separation.

In order to attain maximum capacity from the dust extractor it is important that the filter is cleaned, look at "Cleaning the coarse filter", or replaced as soon as the suction effect starts to drop.

HEPA13 filters operating characteristics

The Hepa13 filter is dimensioned for fine, dry dust and should be preceded by a pre-filter

Caution

- HEPA13 filter cannot be cleaned and must be replaced when spent.

Caution

- The operating stability of the HEPA13 filter drop and can be completely destroyed if exposed to water.

Motor and vacuum pump

The dust extractor is equipped with a 1 phase motor with a direct mounted vacuum pump. The motor is cooled by a separate cooling fan

Auto start function

Start button: **0: Machine OFF**

1: Machine ON

2: Auto start function

There is an outlet on the Bona DCS70 which can be used when running a sanding machine. If the start button is set to 2, the DCS70 will start automatically when starting the connected machine. When the connected machine is turned off the DCS70 will run for about 10 seconds this to make sure that all dust in the hose will disappear.

Collection

Particles and dust falls down into a transparent dust container under the cyclone separator. Inside the dust container is a Longopac bag hose system which should be replaced when full. The system consists of a 65 ft folded plastic hose, which gives about 20 dust free bag changes.

<p>1. Seal the bag with two cable ties.</p>	<p>2. Cut between the cable ties.</p>	<p>3. Pull out a new bag from the Longopac.</p>

Replacing the Longopac magazine

Start of with locking the wheel brakes.

<p>1. Cut the bag open</p>	<p>2. Loosen the straps</p>	<p>3. Pull out the magazine</p>	<p>4. Remove the gasket and discard the Longopac rest</p>
<p>5. Place a new Longopac magazine and check the opening according to the picture</p>	<p>6. Cut off the sealers</p>	<p>7. Fold the inner Longopac over the edge</p>	<p>8. Mount the gasket</p>
<p>9. Turn the magazine over and pull out a new bag</p>	<p>10. Put the magazine in place</p>	<p>11. Attach the straps</p>	<p>12. Seal the bag with a sealer and cut off any rest</p>

NOTE: Always clean the tank from all the particles before you start the machine again! Otherwise, the HEPA filter will be damaged or clogged. (does not cover warranty)

Cleaning the coarse filter through cleaning valve

In order to get maximum suction capacity is the dust extractor equipped with a cleaning valve which effortlessly cleans the coarse filter.

<p>1. Start the machine</p> <p>Start button is set to "1" (Machine ON)</p>	<p>2. Block the suction hose by the work place. Wait about 7-10 sec. while the machine builds up a vacuum.</p>	<p>3. Press the filter cleaning valve hard</p>
<p align="center">Repeat the whole process 3 times.</p>		

N.B. Clean the filter every time you start and before you stop the machine.

Replacing the coarse filter

<p>1. Open the cyclone lid</p>	<p>2. Remove the lid</p>	<p>3. Replace the coarse filter and place the old filter in a plastic bag</p>

Replacing the HEPA13 filter

<p>1. Remove lid</p>	<p>2. Loosen the nuts</p>	<p>3. Remove filter in a plastic bag</p>	<p>4. Seal the bag and place a new filter</p>
<p>5. Place the HEPA filter in a plastic bag to prevent harmful particles spread into the environment!</p>			

Warning

Health impairing dust can be spread when cleaning the coarse filter and during filter and bag replacement. Accordingly, the user should wear tight fitting clothing, protective glasses, protective gloves and a breathing mask conforming to protection class PFF3.

CONSUMABLES

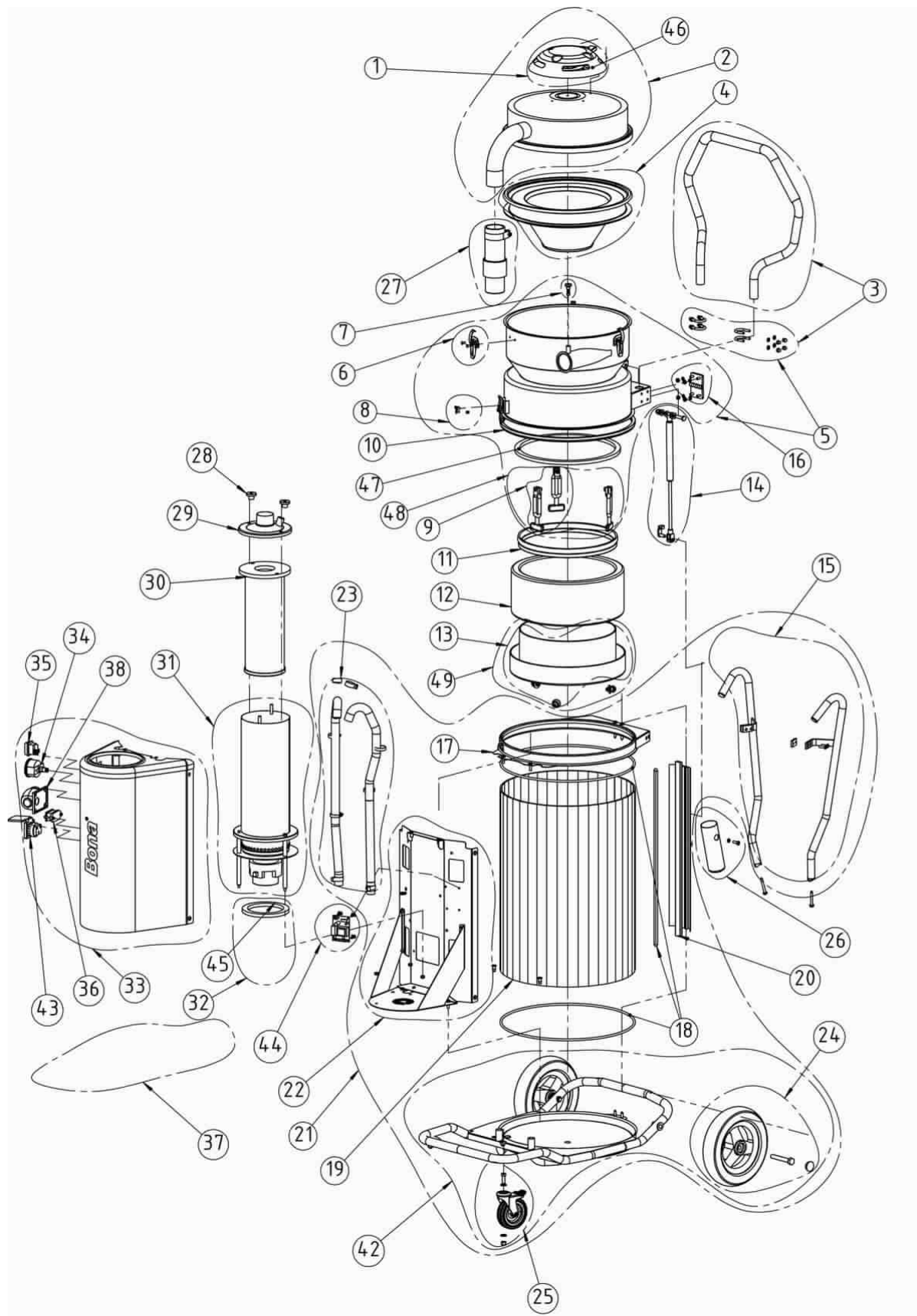
To order spare parts, see schematics with article list,
This is available at: <http://spareparts.bona.com/>

Trouble shooting

The machine is constructed and adjusted to a demanding environment and task, but the user may notice that the machine contains precision made components which should be protected against hard blows and jolts. Filter, seals, fasteners and connections are thoroughly adjusted and chosen for the operators working environment. That is why it is of great importance that the operator and service personnel treat the machine with insight and knowledge in order for the machine to work perfectly for its purpose.

Problem	Cause/Fault	Action
The motor is not running	No power Broken cable The switch is broken	Connect to the wall socket Change the cable Change switch
The motor stops right after start	Wrong fuse	Replace the fuse
The motor is running but there is no suction	The hose is not connected The hose is blocked	Connect the hose Suck out the blockage backwards
The motor is running but there is inadequate suction	Hole on the hose Clogged filter Worn seals	Replace the hose Clean or change filter Check/replace worn seals
The machine is leaking dust	The filter has loosen or is damaged	Check and change if necessary
Abnormal machinery sounds		Order service
Dust in the HEPA filter	Leak Longopac, Longopac-holder cyclone	Check that Longopac bag is sealed properly and have no holes. Also check the sealbetween Longopac-holder and cyclone.

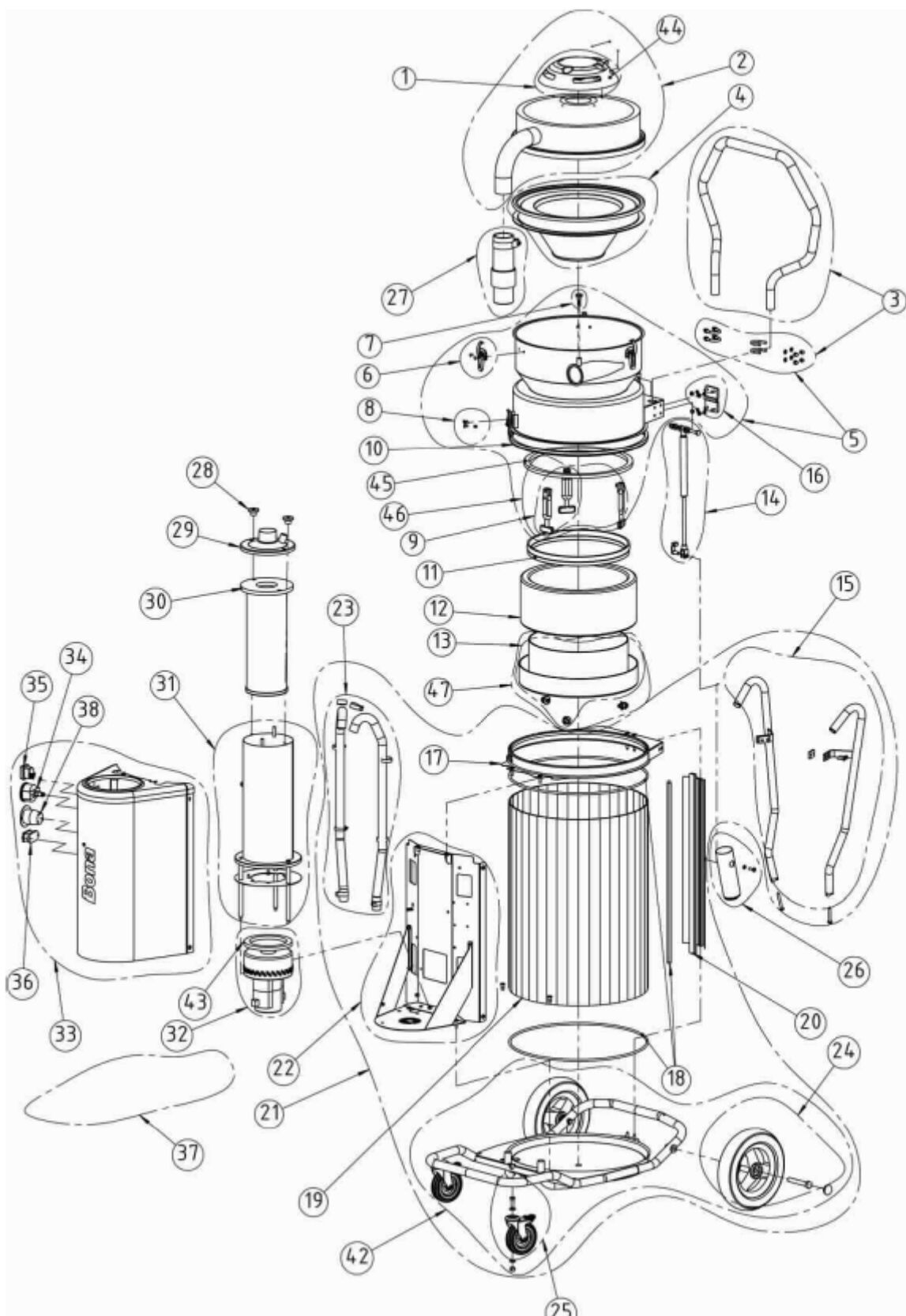
DCS70 230V



DCS70 230v

Pos	Item	Description
01	ASO539127	Clean Unit
02	ASO539827	Cover Complete
03	ASO539148	Handle Complete
04	ASO539032	Folded Course Filter DCS II
05	ASO539080	Cyclone Complete
06	ASO539799	Tensioin Set Complete (3 pcs)
07	ASO539745	Hose Locking
08	ASO539372	Hook Clamp 118-G3
09	ASO539144	Rubber straps (2 pcs)
10	ASO539451	Gasket L=1270mm
11	ASO539108	Gasket Ring
12	ASO539001	Longopac box 4-pack
13	ASO539145	Longopac Bracket 2-Attachment
14	ASO539146	Gas Spring Complete
15	ASO539147	Slide Protection Set
16	ASO539155	Hinge Set (2 pcs)
17	ASO539887	Container Bracket Over
18	ASO539149	Screw/Sealing Set to Container
19	ASO539560	Container
20	ASO539438	Back Rail
21	ASO539076	Wagon Assembly P-DCS
22	ASO539048	Motor Plate DCSII
23	ASO539150	Vacuum Hose
24	ASO539151	Rear wheel set (2 pcs)
25	ASO539152	Front wheel set
26	ASO539153	Strips bracket cpl
27	ASO539154	Hose connector
28	ASO539289	Easy row capnut (2 pcs)
29	ASO539747	Cover to Filter tube DCS II
30	ASO539033	HEPA Filter to DCS II
31	ASO539084	Motor tube complete
32	ASO539367	Motor 230V 1400W DCS70
33	ASO539164	Motor cover DCS70 230V compl.
34	ASO539452	Vacuummeter
35	ASO539511	Switch DCS70
36	ASO903888	Hour meter (counter)
37	ASO539573	Cable kit DCS70 230V
38	ASO539093	Power inlet DCS70 230V
42	ASO539157	Chassis cart incl. wheels
43	ASO539202	Outlet
44	ASO539369	Autostart DCS 230V
45	ASO539169	Motor gasket DCS70
46	ASO539081	Top cover kit ex. clean unit
47	ASO539158	Extra gasket cyclone/longopac
48	ASO539134	Rubber straps (3 pcs)
49	ASO539135	Longopac Bracket 3-Attachment

Portable DCS® 115V



Portable DCS® 115V

Pos	Item	Description
01	ASO539127	Clean Unit
02	ASO539827	Cover Complete
03	ASO539148	Handle Complete
04	ASO539032	Folded Course Filter DCS II
05	ASO539080	Cyclone Complete
06	ASO539799	Tensioin Set Complete (3 pcs)
07	ASO539745	Hose Locking
08	ASO539372	Hook Clamp 118-G3
09	ASO539144	Rubber straps (2 pcs)
10	ASO539451	Gasket L=1270mm
11	ASO539108	Gasket Ring
12	ASO539001	Longopac box 4-pack
13	ASO539145	Longopac Bracket 2-Attachment
14	ASO539146	Gas Spring Complete
15	ASO539147	Hlide Protection Set
16	ASO539155	Hinge Set (2 pcs)
17	ASO539887	Container Bracket Over
18	ASO539149	Screw/Sealing Set to Container
19	ASO539560	Container
20	ASO539438	Back Rail
21	ASO539076	Wagon Assembly P-DCS
22	ASO539048	Motor Plate DCSII
23	ASO539150	Vacuum Hose
24	ASO539151	Rear wheel set (2 pcs)
25	ASO539152	Front wheel set
26	ASO539153	Strips bracket cpl
27	ASO539154	Hose connector
28	ASO539289	Easy row capnut (2 pcs)
29	ASO539747	Cover to Filter tube DCS II
30	ASO539033	HEPA Filter to DCS II
31	ASO539084	Motor tube complete
32	ASO539168	Motor DCS II 115 V
33	ASO539064	Motor cover DCS II 115V cpl.
34	ASO539452	Vacuummeter
35	ASO539011	Switch
36	ASO903888	Hour meter (counter)
37	ASO539021	Connection cables set DCS 115V
38	ASO539167	Inlet to connection cable set
42	ASO539157	Chassis cart incl. wheels
43	ASO539169	Motor gasket DCS70
44	ASO539081	Top cover kit ex. clean unit
45	ASO539158	Extra gasket cyclone/longopac
46	ASO539134	Rubber straps (3 pcs)
47	ASO539135	Longopac Bracket 3-Attachment

Warranty

A 24 month factory warranty (from the date of invoice) against material and manufacturing faults applies to Bona Division Sanding's own manufactured machines and Bona DCS with accessories manufactured after 01-01-2008.

Bona Division Sanding pledges to rectify material and manufacturing faults free of charge provided that the machine, with paid freight, is sent to us with the relevant warranty claim form describing the fault.

The factory warranty only covers new sales.

We do not undertake any other form of compensation or liability to damages.

Transport damage or transport costs will not be compensated. In the event of transport damage it is up to the receiver to contact the relevant transport company for compensation.

The warranty does NOT cover faults that have occurred via normal wear, incorrect spare parts, carelessness, incorrect use, procedures without Bona Division Sanding's approval or that the machine is connected to incorrect current.

THE WARRANTY DOES NOT COVER:

- Consumable materials such as wheels, electric cables, abrasives, lamps, coal brushes, etc.
- Indirect damage, damage and errors that occur due to external damage, accidents, poor maintenance, overload, repairs performed outside of our knowledge and approval, or damages for another reason outside of our control.
- With the use of parts produced by another company outside of our control.
- Electrical components with current variations beyond what has been specified in the manual.
- If payment for the machine is not made according to agreement

In the event of a warranty claim, the machine or the agreed part must be returned to us or our dealer for warranty testing and for potential warranty repair or replacement.

During the factory warranty period, service or repairs may only be carried out upon approval by a manager at Bona Division Sanding and only performed by staff at Bona AB or approved staff at Bona AB Division Sanding.



Bona®
Division Sanding

Vallgatan 45, SE-716 31 Fjugesta, Sweden
Tel.: +46 (0)40 38 73 90 Fax: +46 (0)585 204

Manufacturer:

Pullman-Ermator AB
Industrivägen 10
S-777 91 Smedjebacken
Sweden
Tel.: +46 (0)240 66 09 60
Fax: +46 (0)240 66 30 60
Email: info@pullman-ermator.se

EC declaration of conformity

According to Directive 2006/42/EC, Annex 2A

This to declare that the Bona DCS70 with article number:

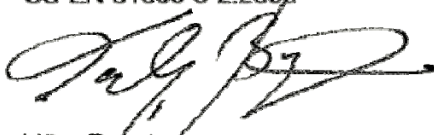
- AMO530005 starting with serial number 0809AMO530163

Follows the provisions of Council Directive:

- Machine Directive 2006/42/EC
- Low voltage Directive 2006/95/EC
- EMC Directive 2004/108/EC

The following standards have been used for guidance when the machines were designed:

- SS-EN 60335-1: 2002+A11+ A1+A12+A2+A13+A14
- SS-EN 60335-2-69: 2009
- SS-EN 61000-6-3:2007
- SS-EN 61000-6-2:2005



Torbjörn Bengtsson
General Manager, Pullman-Ermator AB